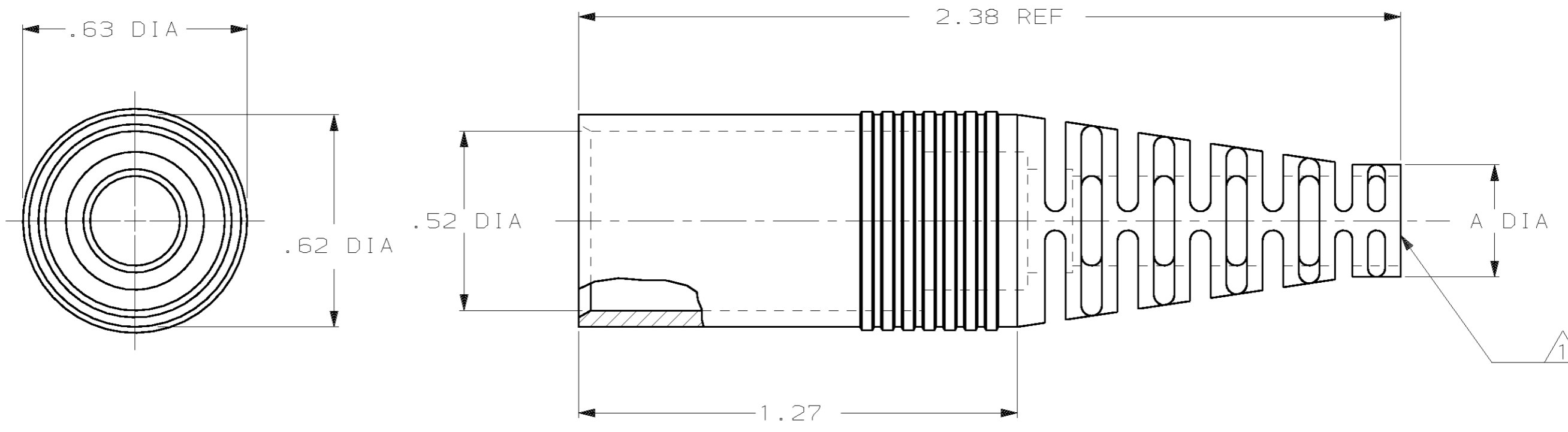


THIS DRAWING IS UNPUBLISHED. RELEASED FOR PUBLICATION ,19 .
 © COPYRIGHT 19 BY AMP INCORPORATED, HARRISBURG, PA. ALL INTERNATIONAL RIGHTS RESERVED. AMP PRODUCTS MAY BE COVERED BY U.S. AND FOREIGN PATENTS AND/OR PATENTS PENDING.

LOC DIST
 GP 00

		REVISIONS				
P	F	ZONE	LTR	DESCRIPTION	DATE	APPROVED
			C	REVISED & REDRAWN AF-2227	10-2-86	JRGY
			D	REVISED PER AF-3539	3/2/87	JRGY
			E	REV PER AF-4722	5/12/87	JRGY
			F	REV PER AF-4684	6/30/87	DH
			G	OBSOLETE -2 ECN BD6064	04/01/92	BF
			H	OBS -3 PER EC 0020-1416-94	11/28/94	AT
			J	REACTIVATED -3 PER EC 0020-142-95	02/14/95	GS
			K	REV PER EC 0320-90-96	23 OCT 96	GS
			L	REV PER EC 0513-0403-04	21 MAR 05	JR



	.37	GRAY	2	212800-4
OBSOLETE	.37	BLACK	2	212800-3
OBSOLETE	.31	GRAY	1	212800-2
	.31	BLACK	1	212800-1
	A DIA	COLOR		PART NO

- 1 INSIDE DIA TO ACCEPT .190/.250 DIA CABLE.
- 2 INSIDE DIA TO ACCEPT .250/.300 DIA CABLE.
- 3 USED WITH ONE PIECE SHIELDED DIN PLUG CONNECTORS.

UNLESS OTHERWISE SPECIFIED DIMENSIONS ARE IN INCHES TOLERANCES ON: 2 PL DEC ± .02 3 PL DEC ± - ANGLES ± -	DR 10-02-86 L.R.RUTH	AMP INCORPORATED Harrisburg, Pa. 17105
	CHK 10-02-86 G.YETTER	
MATERIAL POLYETHER-ESTER ELASTOMER	APPD 10-02-86 M.VISELLI	NAME CIRCULAR DIN, CORD GUARD
	APPD 10-02-86 C.ROHDE	SIZE B
FINISH -	PRODUCT SPEC -	FSCM NO 00779
	APPLICATION SPEC -	DRAWING NO 212800
	WEIGHT -	SCALE NTS
		SHEET 1 OF 1